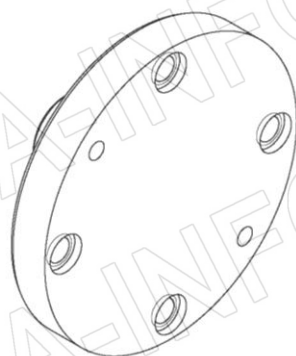
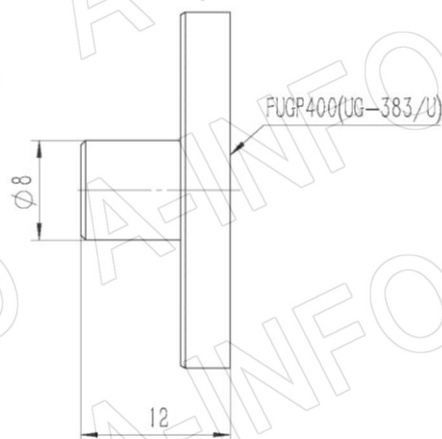
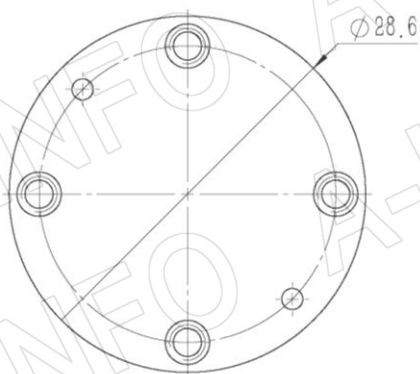


## Technical Specification

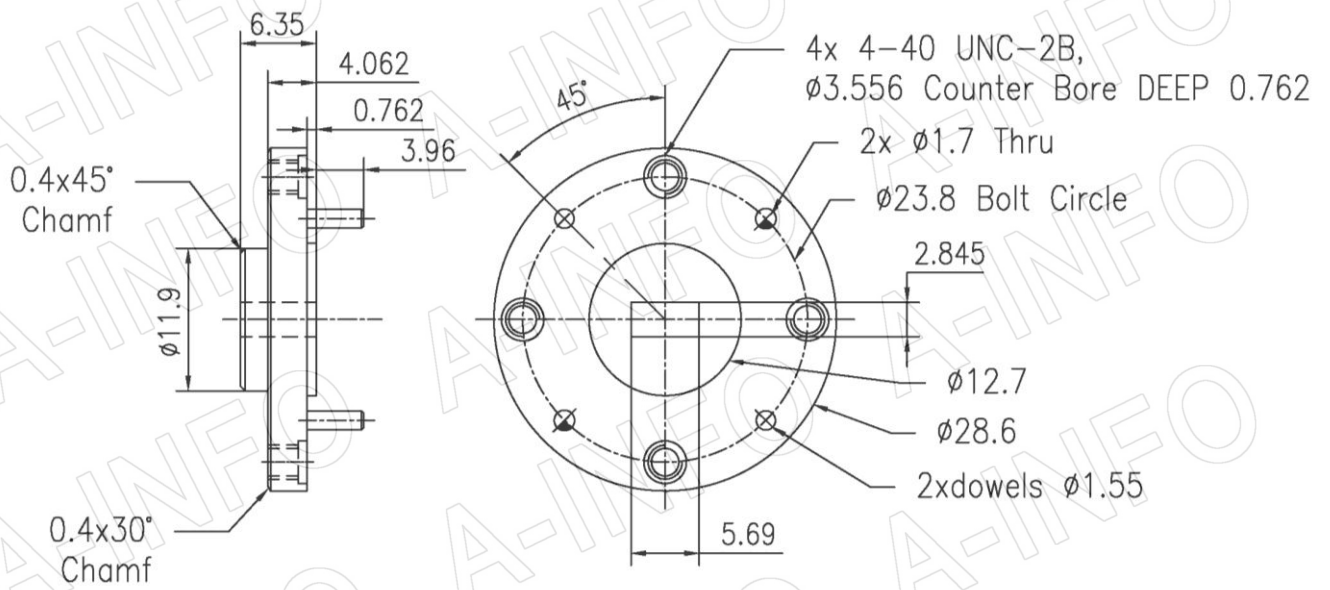


EIA WR	WR22
Freq. Range(GHz)	33.0 – 50.0
Thickness(mm)	12
Flange	FUGP400(UG-383/U)
Material	Cu
Size(mm)	12 x 28.6 x 28.6
Net Weight(Kg)	0.02 Around

## Outline Drawing (Size: mm)



## Flange Drawing (Size: mm)



FUGP400  
(equivalent to UG-383/U)